



Elegance 52

Curtain Walls



SECURI-DOORS
SERVICES LIMITED

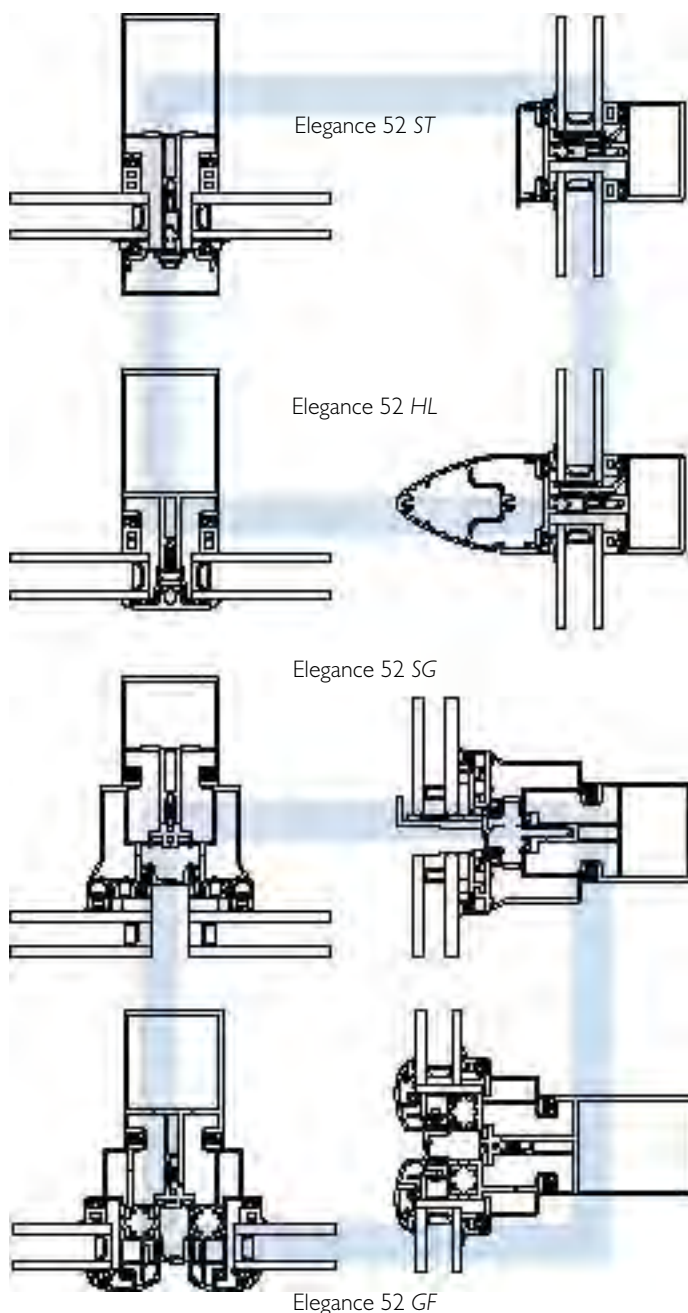
Elegance 52

Curtain Walls

Elegance 52 is a comprehensive curtain wall system that combines technology and design with the demands of contemporary building design and construction. All Elegance 52 systems use a common substructure with a width of 52 mm, allowing a slim sightline, whilst maintaining the necessary strength and inertia requirements for most applications. Weather performance, thermal insulation, building connection, ease of fabrication and installation were the key factors that influenced the design of Elegance 52.

Horizontal section

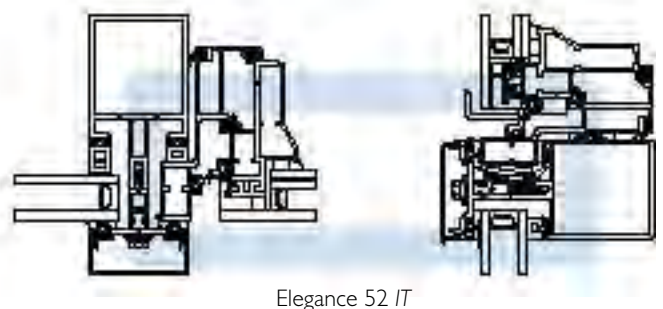
Vertical section



Extensive range of solutions

ST, HL, SG, GF, IT

- All Elegance 52 applications are made up from a set of durable mullions and transoms with a profile width of 52 mm. A large range of profiles depths is available to suit the structural requirements and to give the most economical solution.
- Elegance 52 is available in 4 versions, each providing unique design features:
 - Elegance 52 ST (standard)
 - Elegance 52 HL (horizontal lining)
 - Elegance 52 SG (structural glazing)
 - Elegance 52 GF (glazed frame)
- Elegance 52 can be used in vertical, sloped or roof applications, it offers several solutions for connections to other levels of curtain walling and building materials, whilst always allowing maximum weather performance and minimal sightlines.
- Elegance 52 system provides integration with existing window and door systems of RC System and incorporates an integrated window system, the Elegance 52 IT (italian window).



Elegance 52 IT



Fabrication & installation

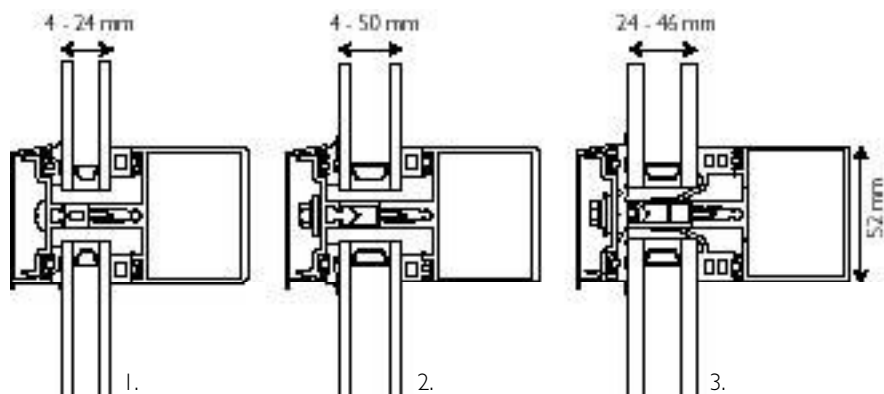
ST, HL, SG, GF, IT

- Drainage can be both field / compartmental or mullion drained.
- Specially developed aluminium profiles or steel can be inserted in the mullions to assure a higher inertia for extremely large spans and to provide a continuous mullion connection and anchorage.
- System of dry glazing by means of EPDM gaskets.
- All window and door systems of the RC System product range have accessories specifically designed to allow easy integration in the curtain wall.
- Depending on the type of application the system can be mullion-mullion or mullion-transom connected. Front mounting of transoms is made possible by spring cleats. A mullion-cut out solution was developed for situations when extra support for the transoms is required.
- Punch tools specifically designed for the Elegance 52 ensure accurate and fast prefabrication of drainage holes and transom cut outs.
- Drilling calibres ease the positioning of fixing pieces when prefabricating the system.



Elegance 52 ST

Elegance 52 ST is a standard thermally broken curtain walling system that offers many design options by the use of different designer mullions and cover caps. The ST offers solutions for vertical, slope and roof applications and can solve faceted curtain wall requests. The system will meet the thermal insulation of RMG 1.0 by applying specific gaskets.



1. RMG 2.2
2. RMG 2.1
3. RMG 1.0

System features

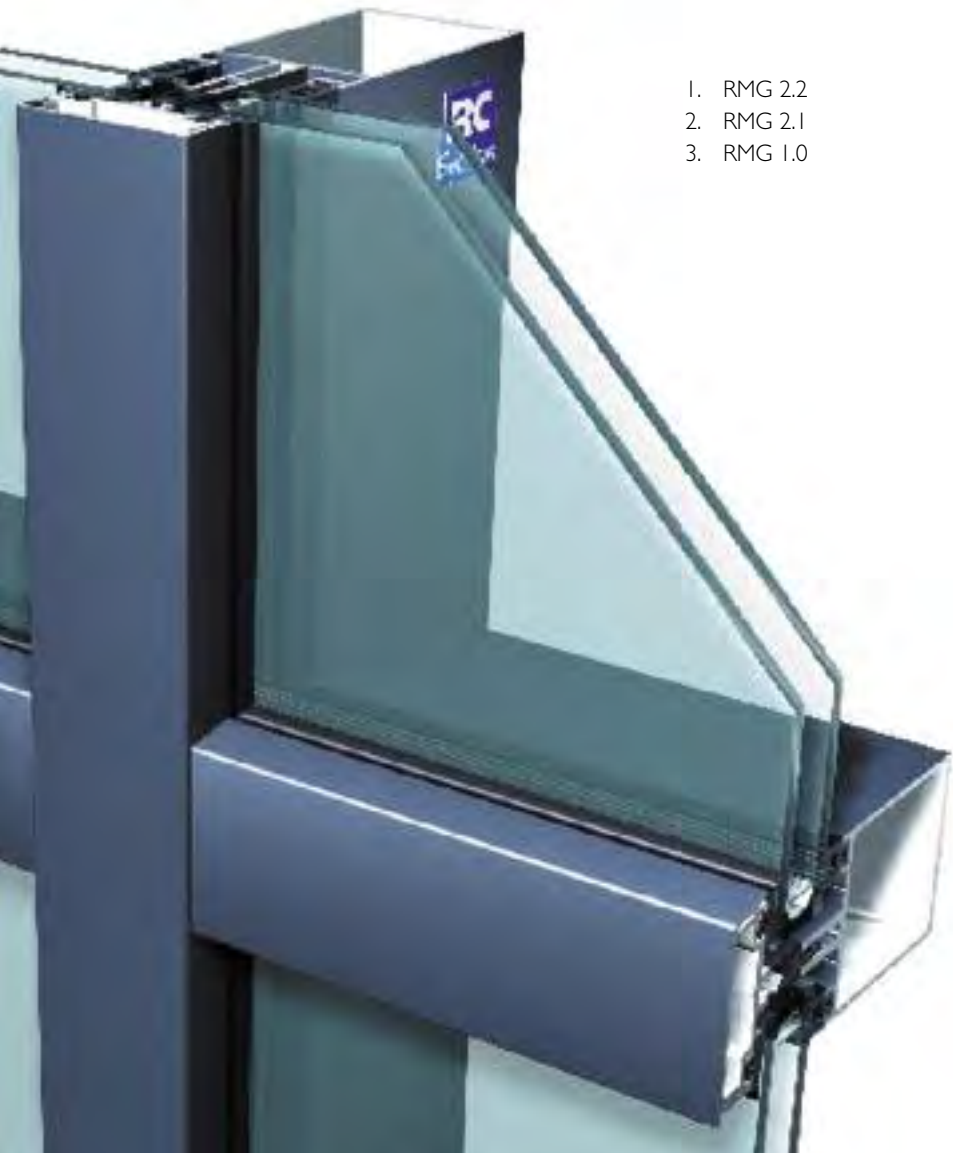
comprehensive & performing

- Elegance 52 ST can accept glass and panels depths of 4 to 50 mm.
- The system has a thermal insulation of RMG 2.2, 2.1 and even 1.0 depending of the type of gaskets and thermal insulation used, leading to a lower total energy consumption and contribution to the environment.
- The system can be self-supporting or can be used in combination with a supporting structure.
- The ST is able to accept tolerances and movements caused by thermal expansion, without compromising the weather performance.
- Weather performance: A3 (EN 12152); E4 (EN 12154)

Design

interior and exterior

- A wide range of decorative cover caps (bull nose, rectangular, airofoil, etc) gives the freedom to design visually interesting glazing.
- By combining different cover caps for horizontal and vertical applications, a wide diversity of external features is possible.
- Several designer mullions are available for internal design features.
- Mullions and transoms can be flush at the inside or can be specifically different to emphasize the vertical design complementing the total building design.
- Several situations such as 90° angle mullions or variable angles have been designed with a minimal use of material allowing slim sightlines.
- By using the various designer mullions / transoms possibilities, in combination with the extensive colour range, the different options are practically unlimited.





Specifications

Technical Identity

Dimension:

Sightline	52 mm
Size mullions	41 - 273 mm
inertia (lxx:Wind)	9,57 - 1649,7 cm ⁴
Size transoms	22,5 - 200 mm
inertia (lxx:Wind)	3,76 - 923,84 cm ⁴
inertia (lyy:Glass)	1,09 - 85,01 cm ⁴

More information can be found in graphical charts, please consult RC System.

Glazing:

Infill thickness	4 - 50 mm
Glazing method	dry glazed with EPDM gaskets

Performance:

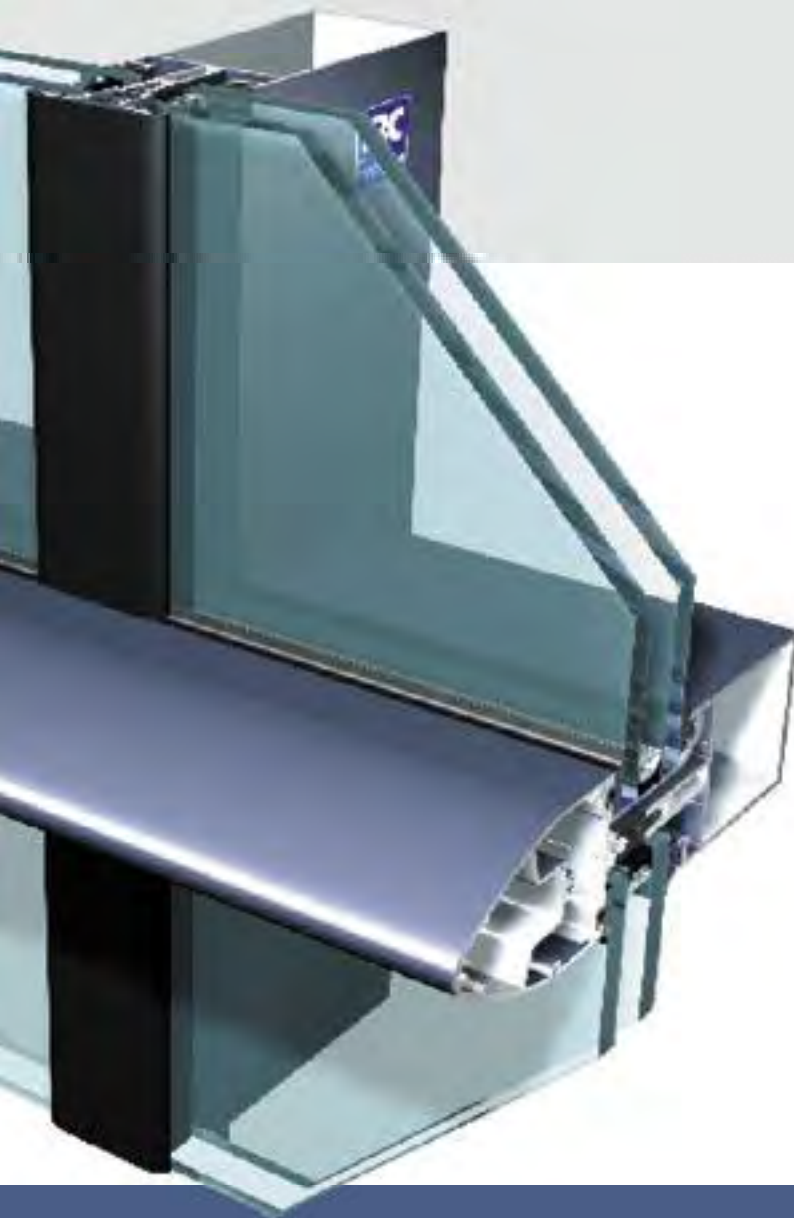
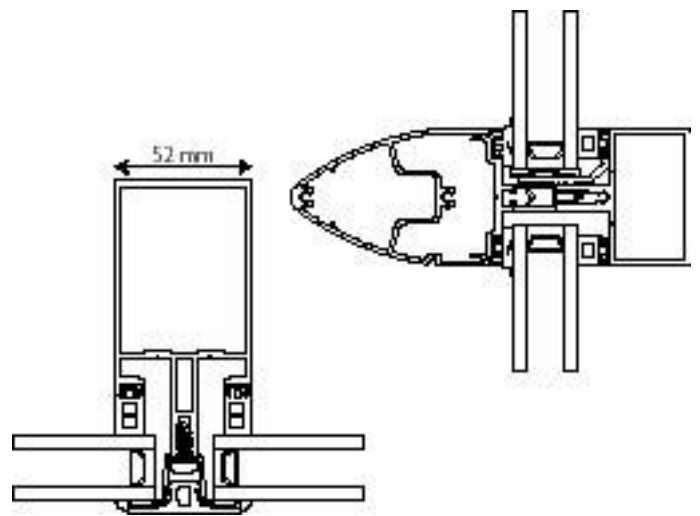
Thermal break	4 - 36 mm	
Thermal insulation	RMG 1.0, 2.1 and 2.2 (DIN 4108)	
Air permeability	A3	EN 12152
Water tightness	E4	EN 12154



Elegance 52 HL

Elegance 52 HL is a specific solution for use when horizontal lining is required. The system is based on the Elegance 52 ST basic structure and creates a horizontal continuity effect by changing the vertical cover caps for a hidden profile sealed by a gasket. The hidden profile still allows the tight sealing of the glass against the structure, the gasket masks the vertical detail putting more emphasis on the horizontal cover cap.

The horizontal cover caps can be chosen out of a wide range of profiles to integrate in the total building design.





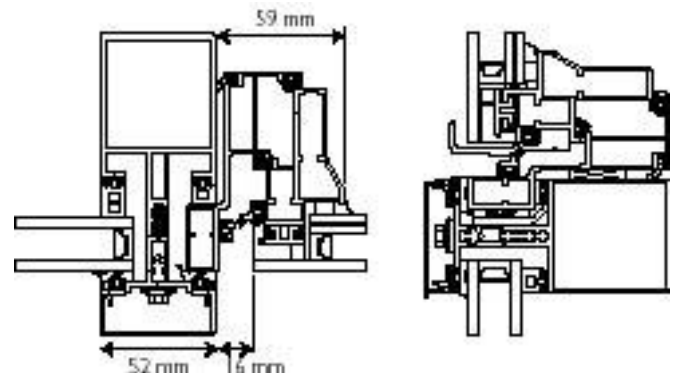
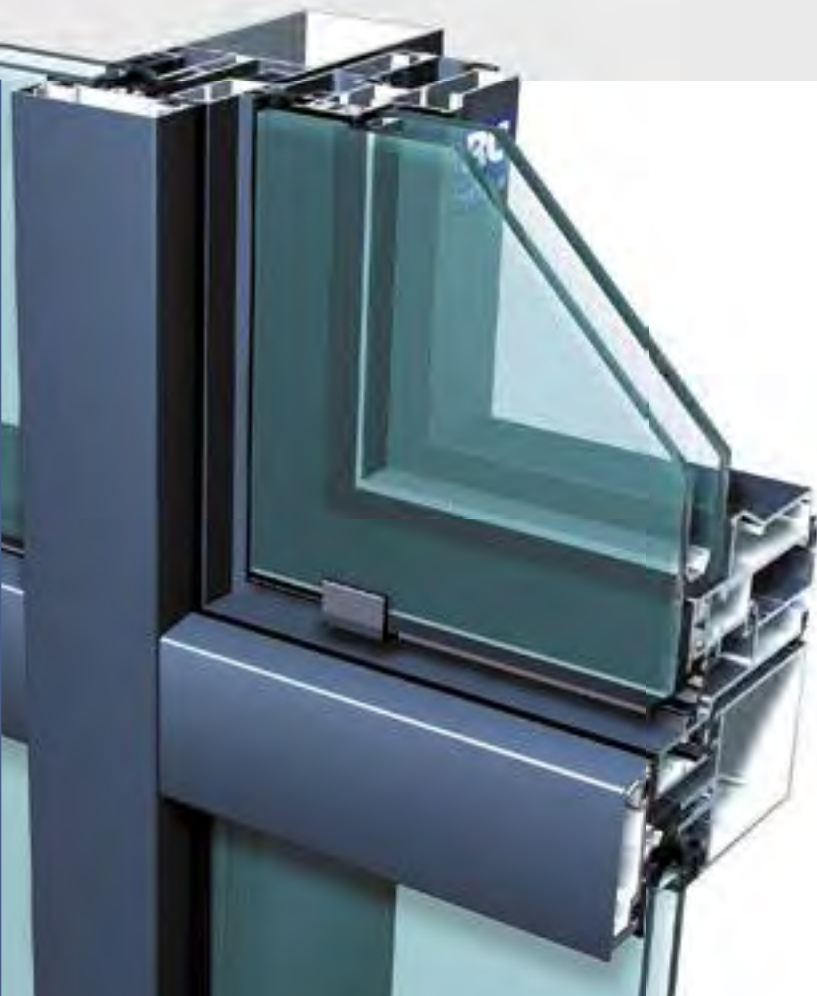
Elegance 52 IT

Elegance 52 IT is an outward opening window-system, specifically designed to allow a vent with a minimal visual aspect to be integrated into the Elegance 52 ST and Elegance 52 HL. The vents can hardly be recognised from the fixed panels.

System features

minimal visual aspect

- The Elegance 52 IT (italian) is available in top-hung or side-hung applications.
- The glass is structurally bonded to the vent frame. Glass of 20 to 30 mm can be used.
- Glass retainer clips ensure total safety.
- Drainage is compartmental or field-drained.
- Several gaskets ensure a perfect weather and acoustic performance.
- Maximum height of the vent is 2000 mm.



Alternative

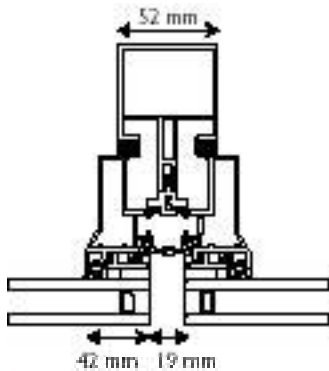
integration of standard windows

- It is possible to integrate all standard window and door systems in the Elegance 52 ST and HL by using special frame profiles or accessories.
- In this way RC System doors and windows can be integrated into the curtain wall system.

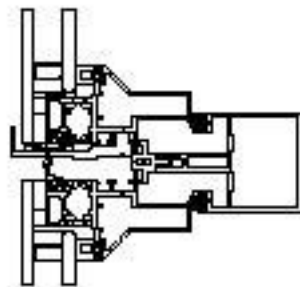
Elegance 52 SG

Elegance 52 SG is a structurally glazed curtain wall system using the basic substructure of Elegance 52 and offering a solution for combinations of fixed or opening panels in both straight or faceted applications. The structural glazed curtain wall offers a minimal sightline without having a visual difference between fixed and opening panels. The SG exists in both a thermal and non-thermal version.

Elegance 52 SG



Elegance 52 SG-TH



System features

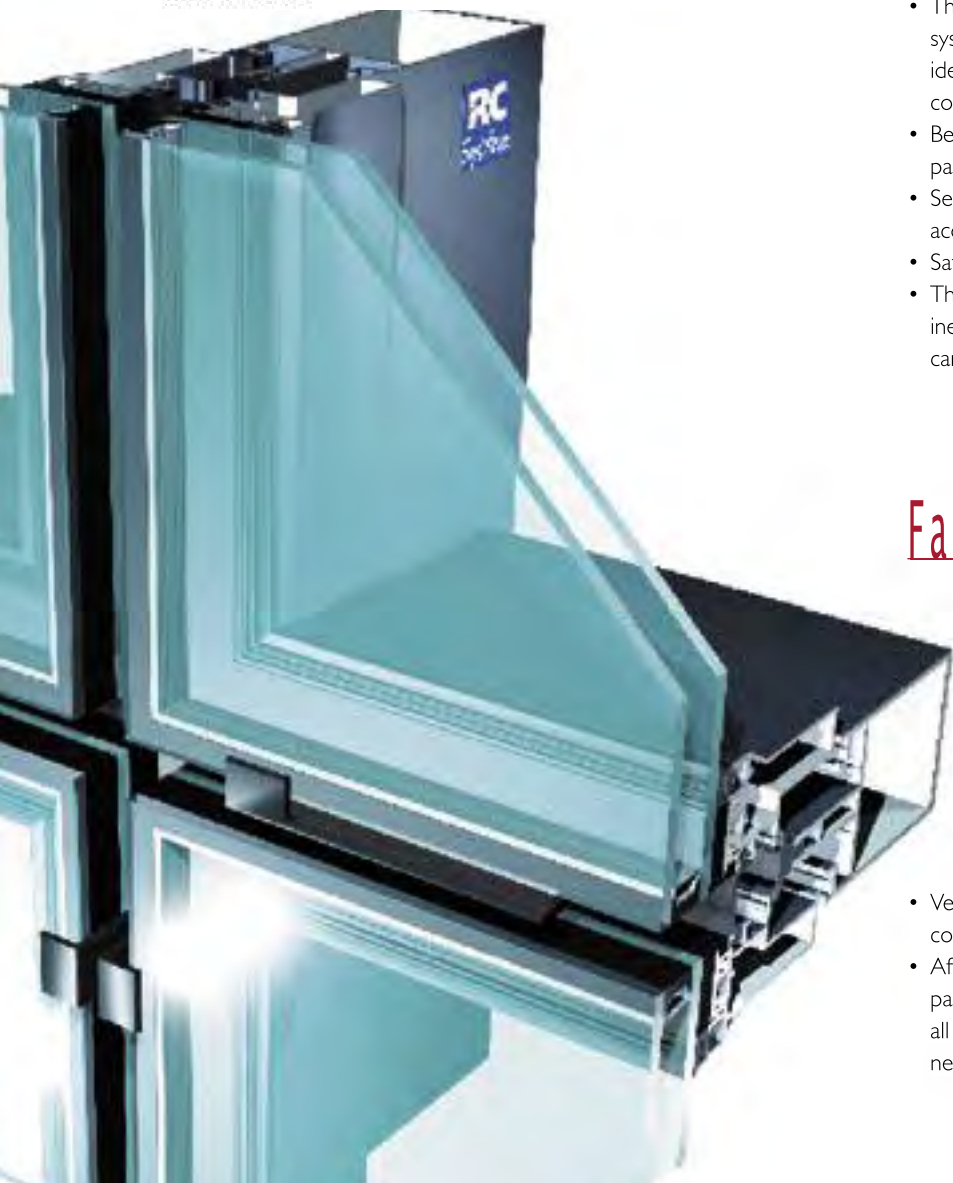
minimal sightline

- The use of a structurally glazed curtain wall avoids the use of cover caps resulting in a flush surface with minimal sightlines.
- The Elegance 52 SG can accept glazing of 24 to 28 mm.
- The maximum dimension of a panel is 2000 high x 1800 mm in width.
- The SG includes an integrated outward opening window system that does not show a visual difference with the identical fixed panels. The telescopic friction stays are concealed in the system.
- Besides glazed panels, it is also possible to use other types of panels.
- Several gaskets in EPDM offer maximum weather and acoustic performance.
- Safety clips ensure total security.
- The wide range of mullion profiles offers an answer to both inertia and design requirements. Mullion and transom profiles can be flush or stepped at the inside.

Fabrication

standard substructure

- The transoms and mullions are mullion-mullion connected. A cut-out mullion version is available when the transom requires extra support. System-designed connectors make an easy installation.
- The glass is structurally bonded to an anodised profile in the vent, bonding of the glass to the profile is carried out by specialised, certified companies.
- Vent profiles are assembled using crimped or eccentric corners.
- After assembly of the basic mullion structure, the different panels are positioned and tightened by use of connectors on all sides. It is possible to dismantle the panels if replacement is necessary.





Specifications

Technical Identity

Dimension:

Sightline inside	52 mm
Sightline outside	19 mm
Size mullions	41 - 200 mm
inertia (lxx:Wind)	9,57 - 923,84 cm ⁴
Size transoms	22,5 - 200 mm
inertia (lxx:Wind)	3,76 - 923,84 cm ⁴
inertia (lyy:Glass)	1,09 - 85,01 cm ⁴

More information can be found in graphical charts, please consult RC System.

Glazing:

Glazing thickness	24 - 28 mm
Glazing method	structural glazing

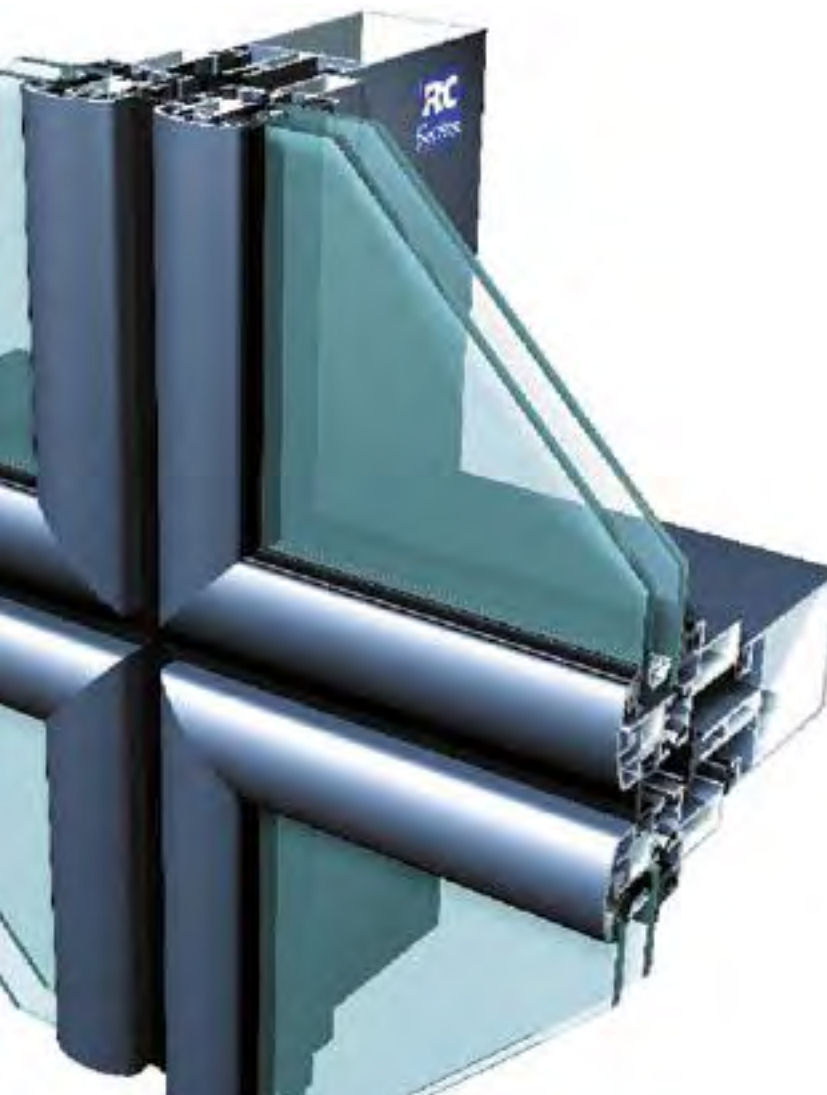
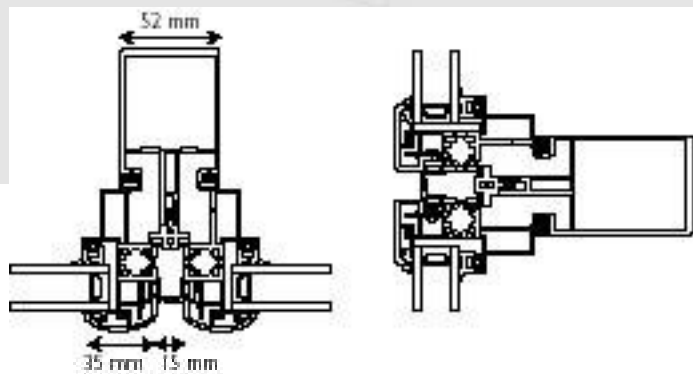
Performance:

Thermal break	14,8 mm	
Air permeability	A3	EN 12152
Water tightness	E4	EN 12154



Elegance 52 GF

Elegance 52 GF is a curtain wall system based on the structure of the Elegance 52 SG using a glazing bead instead of structurally glazing the glass to the panel. The design team developed this solution to offer a version where the glass is held in position with aluminium as in a picture frame. This approach offers each panel to be independent but still be integrated in the full curtain wall.



System features

minimal sightline

- Solutions for both fixed panels as outward opening panels are available.
- Two designs of glazing beads were developed.
- Glazing of 20 to 30 mm.
- Maximum panel size of 2000 high and 1800 in width.
- The panels are thermally broken, so improving the total energy performance of the building.
- Panels are completely assembled in the workshop and positioned on to the locating lugs on the structure.



Finishes

infinite choice

- Over 400 powder coated paint colours are available in matt, gloss or satin.
- Profiles and accessories are available in anodised finishes.
- With Elegance 52 it is possible to have bi-colour finishes, so that the external finish does not dictate the internal colour.
- Our surface finishes meet the highest standards of Qualicoat or Qualanod.



Maintenance

user-friendly & ecological

- All RC System profiles are easily cleaned with water, whilst cleaning your windows.
- Aluminium does not rust, rot or tear and the shape does not deform.
- Aluminium is a green product, which can be recycled infinitely without quality loss.

Project support

from concept to completion

- RC System's experienced project team is available to assist with the choice of products for your project solutions.
- We can offer assistance on pricing, load calculations, building connections, thermal simulations, etc.
- Specific solutions can be developed to fulfil most projects.
- Project samples, catalogues, specification texts and digital drawings are available.



Securi-Doors Services Limited
9 Stanborough Mews
Welwyn Garden City
Hertfordshire
AL8 6DB

E info@securi-doors.co.uk
W www.securi-doors.co.uk
T 01707 886887

